

Up-Flow Cartridge Housings

Commercial/Industrial

Up-Flow Filtration

A design so superior, it's patented

Product is designed with a patented Up-flow technology
Prevents the accumulation of air inside the filter housing
keeping the filter operating at 100%



Certified to
NSF/ANSI/CAN
Standard 61

Features

- ▶ NSF/ANSI/CAN Standard 61 listed
- ▶ 304 stainless steel construction, standard
- ▶ Electropolished finish, standard
- ▶ 150 psi pressure rating
- ▶ Flow Rates up to 800 GPM (3,028 lpm)
- ▶ All filter housings hydrostatically tested
- ▶ Easy cartridge installation, removal and service
- ▶ Individual studs for safe, secure lid closure
- ▶ Extensive choice of cartridge micron ratings and media
- ▶ 316 stainless steel and Chemical resistant epoxy coating Flanged options on HIF 24, HIF 42, HIF 75 and HIF 100, optional



HIF 7

HIF 24

HIF 200FL

Not shown:

HIF 14, HIF 16, HIF 21, HIF 42, HIF 75, HIF 100, and HIF 150FL

Applications

- ▶ Residential and Commercial Drinking Water
- ▶ Cooling Tower Filtration
- ▶ Process Water
- ▶ Reverse Osmosis Pre-filtration
- ▶ Ground Water Remediation
- ▶ Utility Water
- ▶ Industrial Waste Water Treatment
- ▶ Surface Water Treatment Rule (SWTR)



Harmsco® Up-Flow Cartridge Housings

HIF



Certified to
NSF/ANSI/CAN
Standard 61

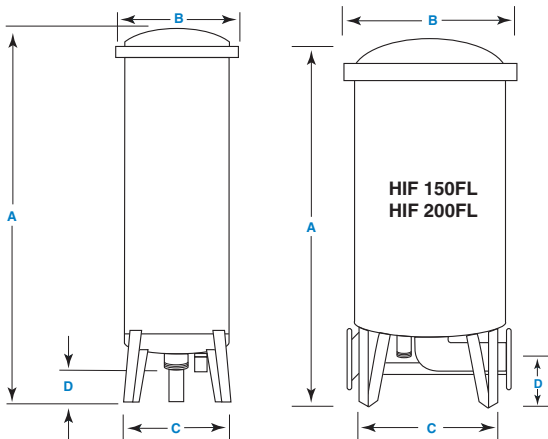


HIF 7 HIF 14 HIF 16 HIF 21 HIF 24 HIF 42 HIF 75 HIF 100 HIF 150FL HIF 200FL



Cartridge Cluster Filters

All cartridges in our 7, 14, 16, 21 and 24 models are arranged in a single "cartridge cluster," so all cartridges are removed at one time for easy cartridge cleaning or replacement.



Dimensions

| Filter Model | A Height | B Diameter | C Leg Width | D Outlet Ht. | Service Ht. | Inlet/Outlet | Drain |
|--------------|-------------|---------------|----------------|-----------------|-------------|--------------|------------|
| HIF 7 | 19-1/2" | 13" | 13" | 3-1/2" | 35" | 1-1/2" NPT | 1" NPT |
| HIF 14 | 28" | 13" | 13" | 3-1/2" | 48" | 1-1/2" NPT | 1" NPT |
| HIF 16 | 28" | 13" | 13" | 4" | 48" | 2" NPT | 1" NPT |
| HIF 21 | 37" | 13" | 13" | 3-1/2" | 68" | 1-1/2" NPT | 1" NPT |
| HIF 24* | 37" | 13" | 13" | 4" | 68" | 2" NPT | 1" NPT |
| HIF 42* | 40" | 18" | 18" | 5-3/8" | 68" | 2" NPT | 1" NPT |
| HIF 75* | 42" | 20" | 20" | 6-3/8" | 70" | 3" NPT | 1-1/2" NPT |
| HIF 100* | 52" | 20" | 20" | 5-1/8" | 87" | 3" NPT | 1-1/2" NPT |
| HIF 150FL | 45-1/2" | 26" | 26" | 5" | 76" | 4" flange | 1-1/2" NPT |
| HIF 200FL | 55-1/2" | 26" | 26" | 5" | 93" | 4" flange | 1-1/2" NPT |

Flanged Inlet/Outlet options on HIF 24, HIF 42, HIF 75 and HIF 100

Ordering Information

| Filter Model | HIF 7 | HIF 14 | HIF 16 | HIF 21 | HIF 24 | HIF 42 | HIF 75 | HIF 100 | HIF 150FL | HIF 200FL |
|------------------------------------|-------------------------|--------------------------|--------------------------|--------------------------|--------------------------|---------------------------|---------------------------|--------------------------|---------------------------|--------------------------|
| Max Flow Rate* (GPM) | 30 | 60 | 75 | 90 | 100 | 175 | 300 | 400 | 600 | 800 |
| Max Flow Rate* (LPM) | 113 | 226 | 284 | 340 | 397 | 662 | 1,135 | 1,514 | 2,271 | 3,028 |
| MaxFlow Rate* (M ³ /HR) | 7 | 14 | 17 | 20 | 23 | 40 | 68 | 91 | 136 | 181 |
| Cartridges | 7 - 9-3/4" "Singles" | 7 - 19-1/2" "Doubles" | 8 - 19-1/2" "Doubles" | 7 - 29-1/4" "Triples" | 8 - 29-1/4" "Triples" | 14 - 29-1/4" "Triples" | 25 - 29-1/4" "Triples" | 25 - 39" "Quadruples" | 50 - 29-1/4" "Triples" | 25 - 39" "Quadruples" |

Flow rates shown above are for guidelines only. Actual flow rates are based on cartridge type, micron rating, viscosity, solids content and a number of other factors. For complete flow and pressure drop information please refer to your cartridge manufacturer guidelines.

Specifications

- ▶ **Filter Vessel/Metal Components** - 304 stainless steel, electropolished for increased resistance to corrosion; 316 available
- ▶ **Holding/Lifting Rods, Standpipes and Pipe Caps** - CPVC, standard models; 304 stainless steel for All-Stainless models
- ▶ **Rim Gaskets** - EPDM, standard; Buna-N, Viton available
- ▶ **O-rings** - Buna-N, standard; EPDM, Viton available
- ▶ **Bottom Seals** - Natural gum rubber, standard; EPDM, Viton available
- ▶ **Pressure** - Rated for pressures to 150 psi max
- ▶ **Temperature** - Rated to 140°F (60°C) with CPVC rods, pipe caps, standpipes and standard Harmsco cartridges; rated to 200°F (93°C) for all stainless models with stainless steel rods, pipe caps and standpipes, and Harmsco High-Temp cartridges
- ▶ **Flow** - Up to 800 GPM; typical flow rates are 4-6 GPM per single length (9-3/4")
- ▶ **Wing Nuts** - Brass; optional brass hex nuts and stainless steel flat washers

Note: This publication is to be used as a guide. The data within has been obtained from many sources and is considered to be accurate. Harmsco does not assume liability for the accuracy and/or completeness of this data. Changes to the data can be made without notification. Temperature, Pressure, Flow Rates, Differential Pressures, Chemical Combinations and other unknown factors can affect performance in unknown ways. **Limited Warranty:** Harmsco warrants their products to be free of material and workmanship defects. Determination of suitability of Harmsco products for uses and applications contemplated by Buyer shall be the sole responsibility of Buyer. The end user/installer/buyer shall be liable for the product's performance and suitability regarding their specific intended applications. End users should perform their own tests to determine suitability for each application.



HARMSCO® Filtration Products

7169 49th Terrace North, Riviera Beach, FL 33407
(561) 848-9628 • Toll-free: (800) 327-3248 • E-mail: sales@harmsco.com

www.harmsco.com

