

BetterFilter™ Housing

Swimming Pool

Up-Flow Filtration

A design so superior, it's patented

Harmsco® BetterFilter™ provide sparkling clean water and save energy space

Constructed in low carbon T-304 Stainless Steel

Electropolished to deliver a ten year pro-rated warranty

Harmsco filters install fast, avoid costly waste disposal, and use reusable Supertuf™ Polyester-Plus cartridges for long, high-performance service



Certified to NSF/ANSI/CAN Standard 50

Features

- ▶ NSF/ANSI/CAN Standard 50 listed
- ▶ 304L stainless steel construction, standard. 316L, optional
- ▶ Electropolished finish, standard
- ▶ 50 psi pressure rating
- ▶ Flow Rates up to 450 GPM (1,703 lpm)
- ▶ All filter housings hydrostatically tested
- ▶ Easy cartridge installation, removal and service
- ▶ Individual studs for safe, secure lid closure
- ▶ Nominal 20 micron filter media



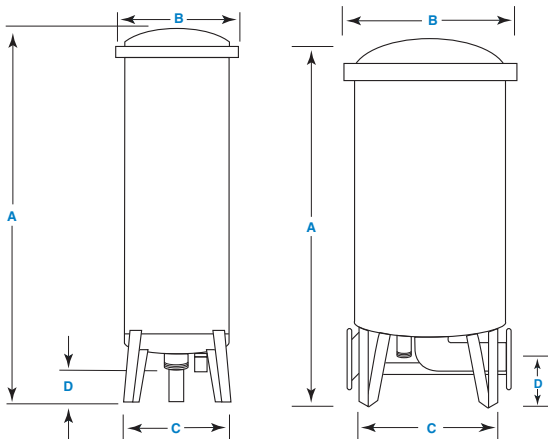
Applications

- ▶ Swimming Pool Filtration
- ▶ Commercial Pool Filtration
- ▶ Splash areas / Waterpark
- ▶ Fountain Water
- ▶ Spas & Hot Tubs





Certified to NSF/ANSI/CAN Standard 50



Dimensions

Filter Model	A Height	B Diameter	C Leg Width	D Outlet Ht.	Service Ht.	Inlet/Outlet	Drain
BF 42	19-1/4"	13"	13"	4-1/4"	35"	1-1/2" NPT	1" NPT
BF 84	29 3/8"	13"	13"	4-1/4"	48"	1-1/2" NPT	1" NPT
BF 96	29"	13"	13"	3-7/8"	48"	2" NPT	1" NPT
BF 126	39-1/8"	13"	13"	4-1/4"	68"	1-1/2" NPT	1" NPT
BF 144	39"	13"	13"	3-7/8"	68"	2" NPT	1" NPT
BF 168	30-5/8"	18"	18"	4-3/4"	68"	2" NPT	1" NPT
BF 252	40-1/4"	18"	18"	4-3/4"	70"	2" NPT	1" NPT
BF 336	51-13/16"	18"	18"	5-3/8"	87"	3" NPT	3" NPT
BF 450	42-1/2"	20"	20"	6-1/4"	76"	3" NPT	1-1/2" NPT
BF 600	52"	20"	20"	6"	87"	3" NPT	1-1/2" NPT
BF 900FL	45-1/2"	26"	26"	5"	76"	4" Flange	1-1/2" NPT
BF 1200FL	55-1/2"	26"	26"	5"	93"	4" Flange	1-1/2" NPT

Ordering Information

Filter Model	BF 42	BF 84	BF 96	BF 126	BF 144	BF 168	BF 252	BF 336	BF 450	BF 600	BF 900FL	BF 1200FL
Max. NSF Flow Rate Priv. Pools (Public Pools) (GPM)	42 (15.75)	84 (31.5)	96 (36)	126 (47.25)	144 (54)	168 (63)	252 (94.5)	336 (126)	450 (168.75)	600 (225)	900 (337.5)	1200 (450)
Max. NSF Pool Size Priv. Pools (Public Pools) (gal)	15,120 (5,670)	30,240 (11,340)	35,580 (12,960)	43,360 (17,010)	51,840 (19,440)	60,480 (22,680)	90,720 (34,020)	120,960 (45,360)	162,000 (60,750)	216,000 (81,000)	324,000 (121,500)	432,000 (162,000)
Number of cartridges	7	7	8	7	8	14	14	14	25	25	50	50
Cartridges & Heights	ST/6 9-3/4"	ST/12 19-1/2"	ST/12 19-1/2"	ST/18 29-1/4"	ST/18 29-1/4"	ST/12 19-1/2"	ST/18 29-1/4"	ST/24 39"	ST/18 29-1/4"	ST/24 39"	ST/18 29-1/4"	ST/24 39"

Flow rates shown above are for guidelines only. Actual flow rates are based on cartridge type, micron rating, viscosity, solids content and a number of other factors. For complete flow and pressure drop information please refer to your cartridge manufacturer guidelines.

Specifications

- ▶ **Filter Vessel/Metal Components** - 304 stainless steel, electropolished for increased resistance to corrosion; 316 available
- ▶ **Holding/Lifting Rods, Standpipes and Pipe Caps** - CPVC, standard models; 304 stainless steel for All-Stainless models
- ▶ **Rim Gaskets** - EPDM, standard; Buna-N, Viton available
- ▶ **O-rings** - Buna-N, standard; EPDM, Viton available
- ▶ **Pressure** - Rated for pressures to 50 psi max
- ▶ **Temperature** - Rated to 140°F (60°C)
- ▶ **Flow** - Up to 450 GPM; typical flow rates are 4-6 GPM per single length (9-3/4")
- ▶ **Wing Nuts** - Brass; optional brass hex nuts and stainless steel flat washers
- ▶ **Micron Rating** - All "ST" cartridges are 20 micron

Note: This publication is to be used as a guide. The data within has been obtained from many sources and is considered to be accurate. Harmsco does not assume liability for the accuracy and/or completeness of this data. Changes to the data can be made without notification. Temperature, Pressure, Flow Rates, Differential Pressures, Chemical Combinations and other unknown factors can affect performance in unknown ways. **Limited Warranty:** Harmsco warrants their products to be free of material and workmanship defects. Determination of suitability of Harmsco products for uses and applications contemplated by Buyer shall be the sole responsibility of Buyer. The end user/installer/buyer shall be liable for the product's performance and suitability regarding their specific intended applications. End users should perform their own tests to determine suitability for each application.



HARMSCO® Filtration Products

7169 49th Terrace North, Riviera Beach, FL 33407
(561) 848-9628 • Toll-free: (800) 327-3248 • E-mail: sales@harmsco.com

www.harmsco.com



Made in USA
10/25 Rev. 1