

## Single Cartridge Housings

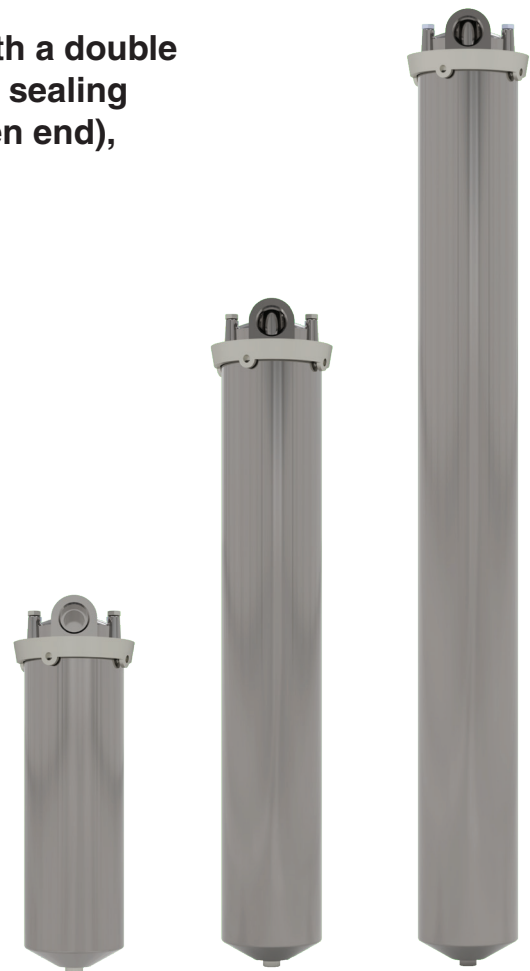
Commercial/Industrial

Designed for 300 psi in 304 or 316 stainless steel

FSSS Series Filter Housings are designed with a double o-ring compression which allows for positive sealing and easy access. Offered in DOE (double open end), 222/Flat and 226/Flat configurations

### Features

- ▶ 304 or 316 stainless steel construction
- ▶ 300 psi pressure rating
- ▶ Electropolished finish
- ▶ Offered in Double Open End 222/Flat or 226/Flat configurations
- ▶ Double compression seal for easy change out
- ▶ Includes 1/4" NPT drain
- ▶ Inline design for easy installation
- ▶ Knife edge seal at both cartridge ends to eliminate by-pass for DOE cartridges
- ▶ Standard with wrench and mounting bracket



FSSS-1  
Series

FSSS-2  
Series

FSSS-3  
Series

### Applications

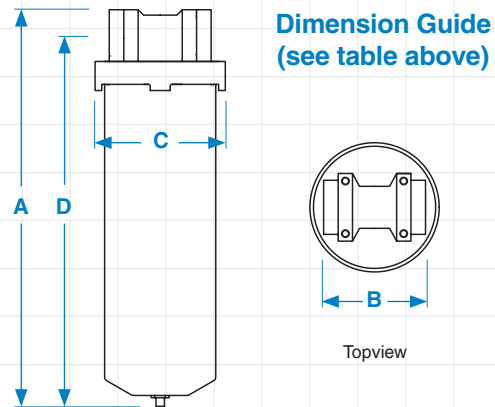
- ▶ Food & Beverage Filtration
- ▶ Reverse Osmosis Pre-filtration
- ▶ Process Water Filtration
- ▶ Cutting Fluids
- ▶ Lubricants
- ▶ Plating Solutions
- ▶ High Purity Water
- ▶ Inks



## Ordering Information

Filter Model	Cartridge Length	Inlet/Outlet Pipe Size	End Cap Configuration	Material	A Filter Ht.	B I/O Width	C Diameter	D Inlet Ht.
FSSS-1A	9-3/4" / 10"	3/4"	DOE	316 SS	13"	3.2"	4.06"	11.84"
FSSS-1B	9-3/4" / 10"	3/4"	DOE	304 SS	13"	3.2"	4.06"	11.84"
FSSS-1A-222	9-3/4" / 10"	3/4"	222/Flat	316 SS	13"	3.2"	4.06"	11.84"
FSSS-1A-226	9-3/4" / 10"	3/4"	226/Flat	316 SS	13"	3.2"	4.06"	11.84"
FSSS-2A	20"	1"	DOE	316 SS	23"	3.2"	4.06"	21.84"
FSSS-2B	20"	1"	DOE	304 SS	23"	3.2"	4.06"	21.84"
FSSS-2A-222	20"	1"	222/Flat	316 SS	23"	3.2"	4.06"	21.84"
FSSS-2A-226	20"	1"	226/Flat	316 SS	23"	3.2"	4.06"	21.84"
FSSS-3A	30"	1"	DOE	316 SS	33"	3.2"	4.06"	31.84"
FSSS-3B	30"	1"	DOE	304 SS	33"	3.2"	4.06"	31.84"
FSSS-3A-222	30"	1"	222/Flat	316 SS	33"	3.2"	4.06"	31.84"
FSSS-3B-226	30"	1"	226/Flat	316 SS	33"	3.2"	4.06"	31.84"

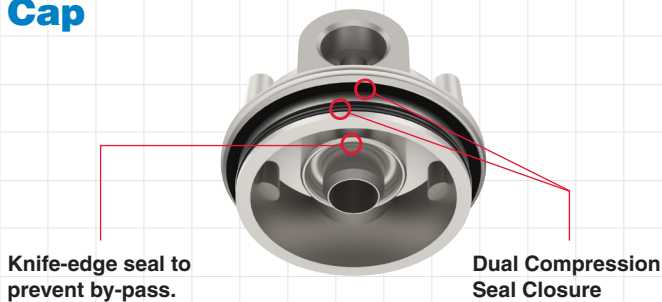
### End Cap Configurations



## Specifications

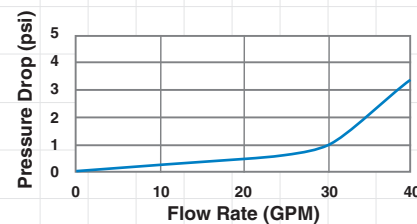
- ▶ **Finish** - electropolished
- ▶ **Inlet/Outlet** - 3/4" on 9-3/4" housings and 1" on 20" housings
- ▶ **Construction** - 304 or 316 stainless steel
- ▶ **Pressure** - up to 300 PSI (20.7 bar) max
- ▶ **Temperature** - up to 250°F (121°C) (filter housing only)
- ▶ **Dual Seal Closure** - EPDM (standard)

### Cap



### Pressure Drop

Based on 3/4" and 1" inlet/outlet housings, without cartridges.



**Note:** This publication is to be used as a guide. The data within has been obtained from many sources and is considered to be accurate. Harmsco does not assume liability for the accuracy and/or completeness of this data. Changes to the data can be made without notification. Temperature, Pressure, Flow Rates, Differential Pressures, Chemical Combinations and other unknown factors can affect performance in unknown ways. **Limited Warranty:** Harmsco warrants their products to be free of material and workmanship defects. Determination of suitability of Harmsco products for uses and applications contemplated by Buyer shall be the sole responsibility of Buyer. The end user/installer/buyer shall be liable for the product's performance and suitability regarding their specific intended applications. End users should perform their own tests to determine suitability for each application.



**HARMSCO® Filtration Products**

7169 49th Terrace North, Riviera Beach, FL 33407  
 (561) 848-9628 • Toll-free: (800) 327-3248 • E-mail: sales@harmsco.com

[www.harmsco.com](http://www.harmsco.com)



3/25 Rev. 1