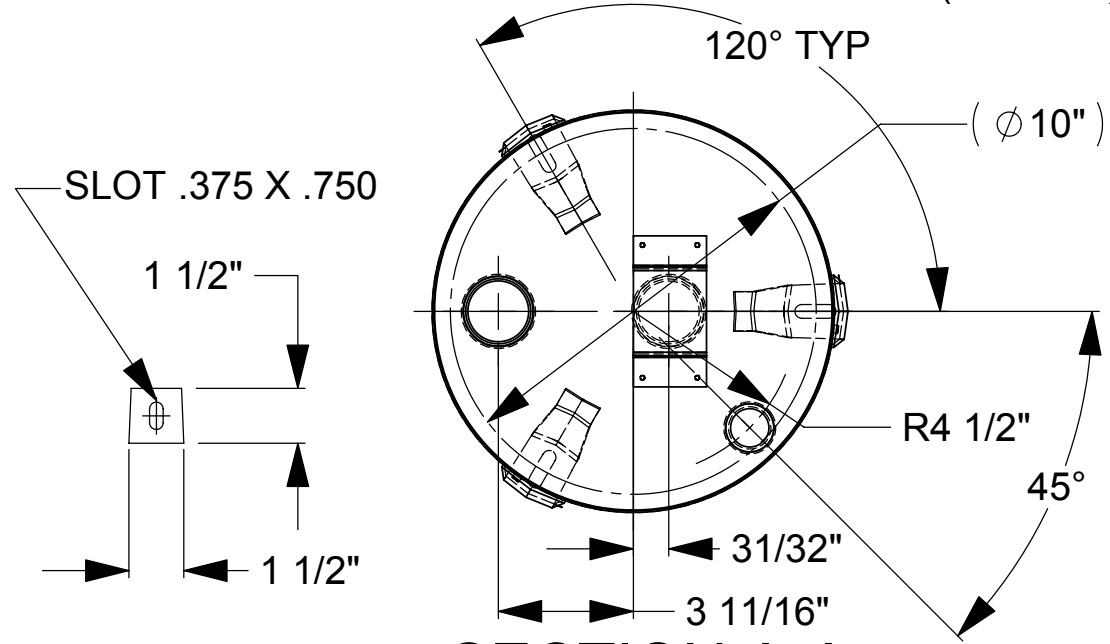
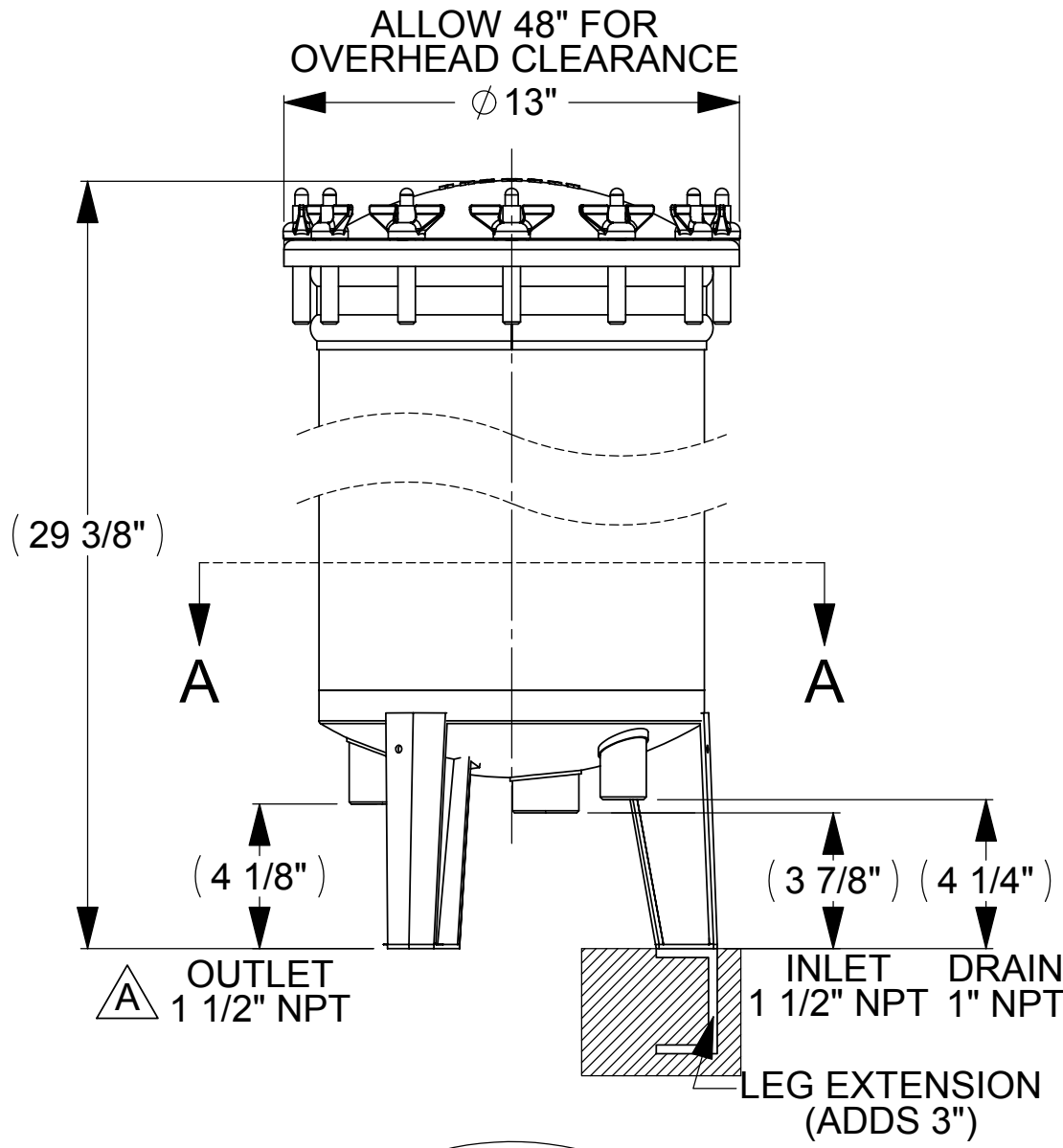


REV.	DESCRIPTION	DATE	APPROVED
A	CALLOUT PIPE SIZE 11/99		

THE INFORMATION CONTAINED IN THIS DRAWING IS THE SOLE PROPERTY OF HARMSCO INC.. ANY REPRODUCTION IN PART OR WHOLE WITHOUT THEIR EXPRESS WRITTEN CONSENT IS PROHIBITED.



**SECTION A-A  
FOOTPRINT**

<b>HARMSCO INC.</b>		P.O. BOX 14066		N. PALM BEACH, FL	
SCALE 1:5		PART NAME		PART NO.	
INSTALLATION		HIF 14		DIAGRAM	
APPROVALS		DATE		DRAWN	
CWN		5/2/00		RPT	
5/3/00					
UNLESS OTHERWISE SPECIFIED DIMENSIONS ARE IN INCHES TOLERANCES ARE:					
FRACTIONS DECIMALS		ANGLES		+/- .010 +/- .30'	
DRAWN ON CAD DO NOT SCALE					