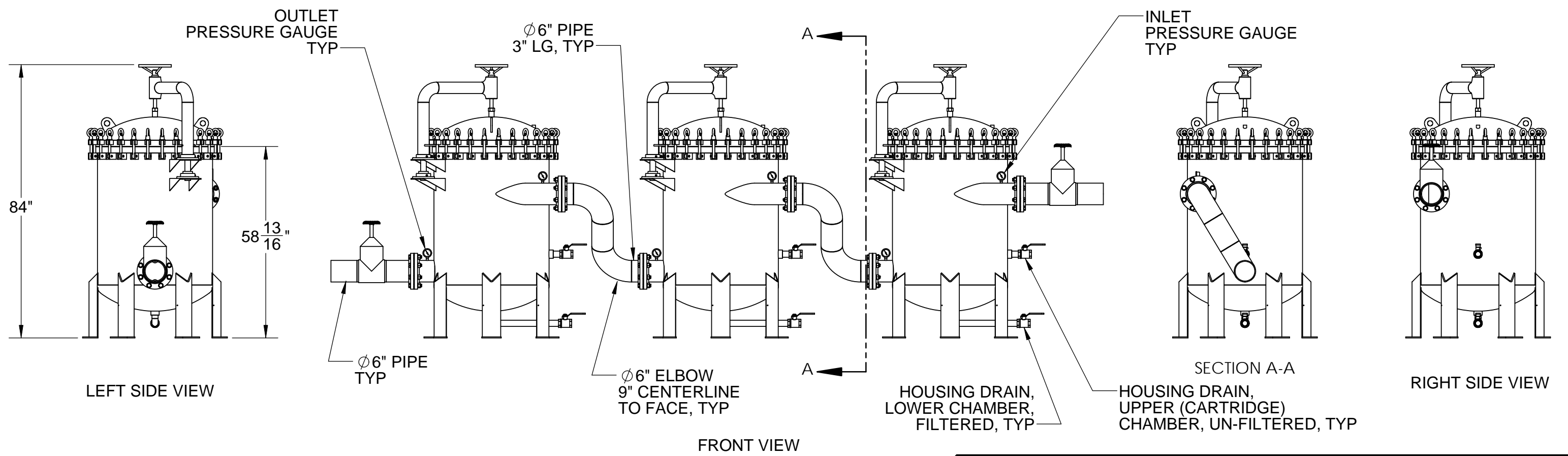
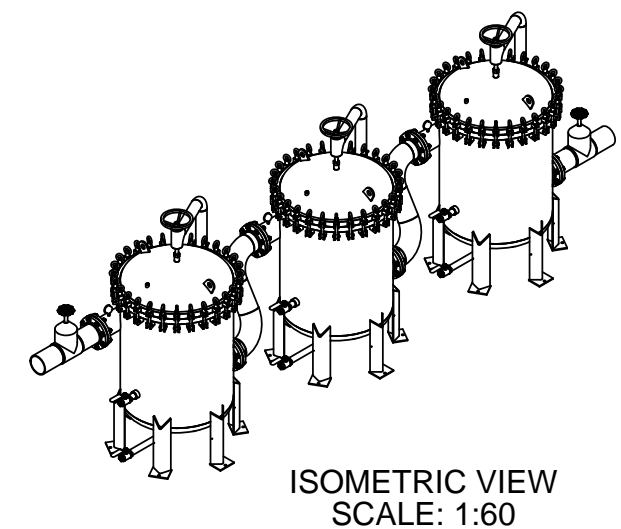
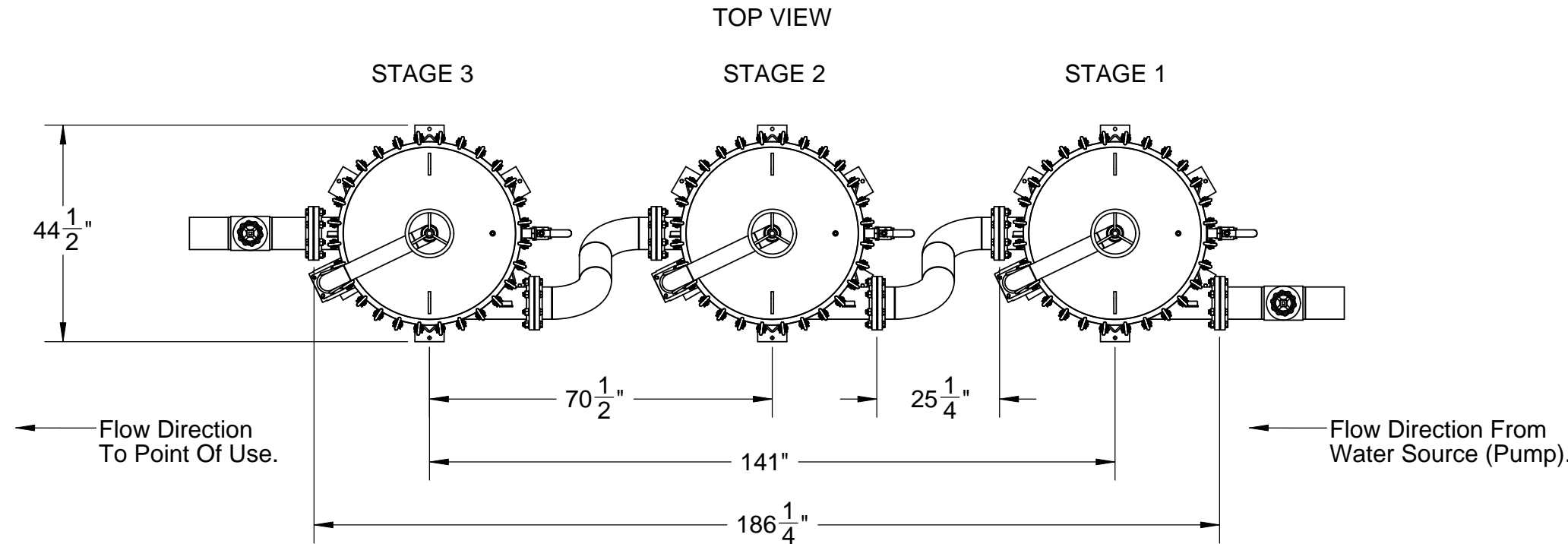


REVISIONS			
REV.	DESCRIPTION	DATE	APPROVED



THIS DRAWING HAS BEEN PREPARED BY HARMSCO FILTRATION PRODUCTS FOR REPRESENTATION OF A TYPICAL DESIGN FOR SMALL COMMUNITIES WATER SOLUTIONS.

APPROVALS		DATE
DRAWN	RS	4-28-11
APPROVED		
UNLESS OTHERWISE SPECIFIED DIMENSIONS ARE IN INCHES TOLERANCES ARE:		
FRACTIONS	DECIMALS	ANGLES
+/- 1/32	+/- .010	+/- 30'
DRAWN ON CAD DO NOT SCALE		

<b>HARMSCO INC.</b>		
P.O. BOX 14066 N. PALM BEACH, FL		
SCALE	PART NAME	PART NO.
"1:30"	3 Stage HUR 8X-170FL Series	TBD