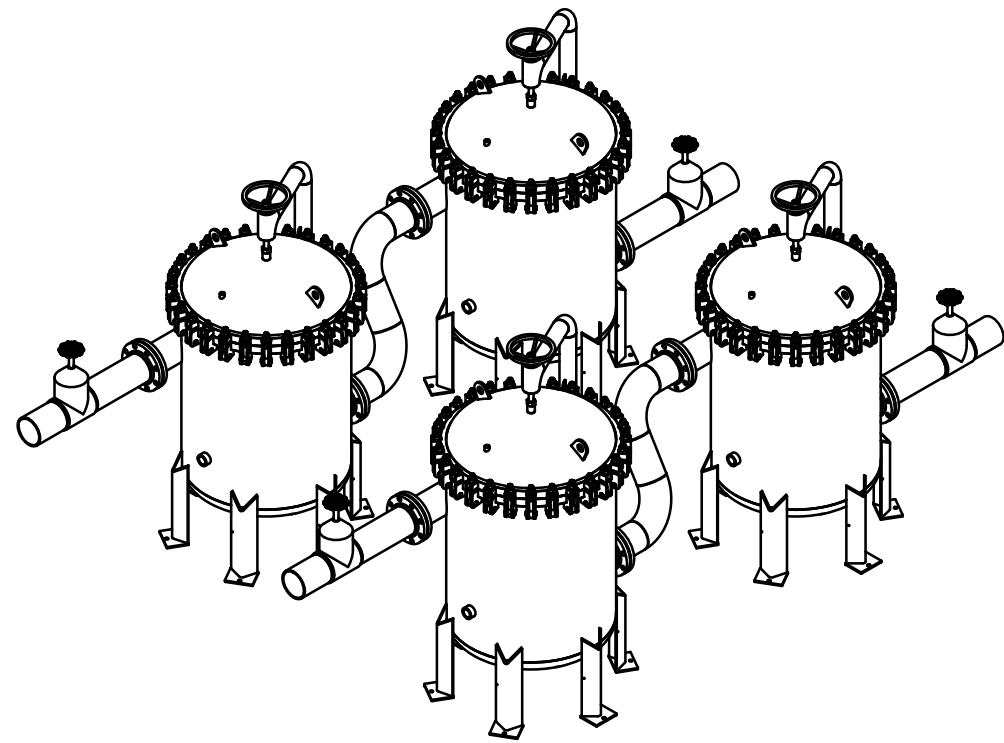
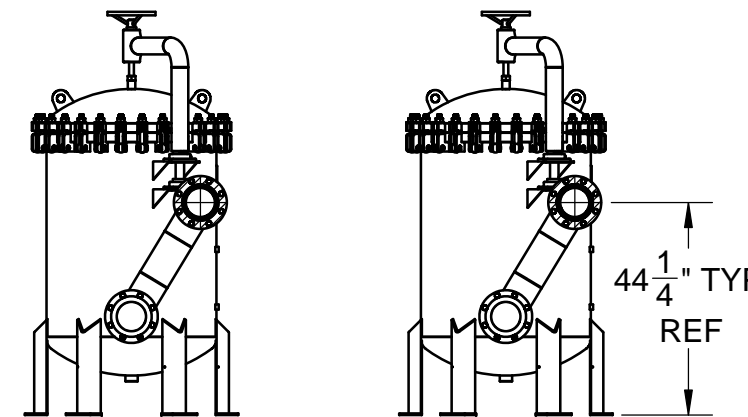
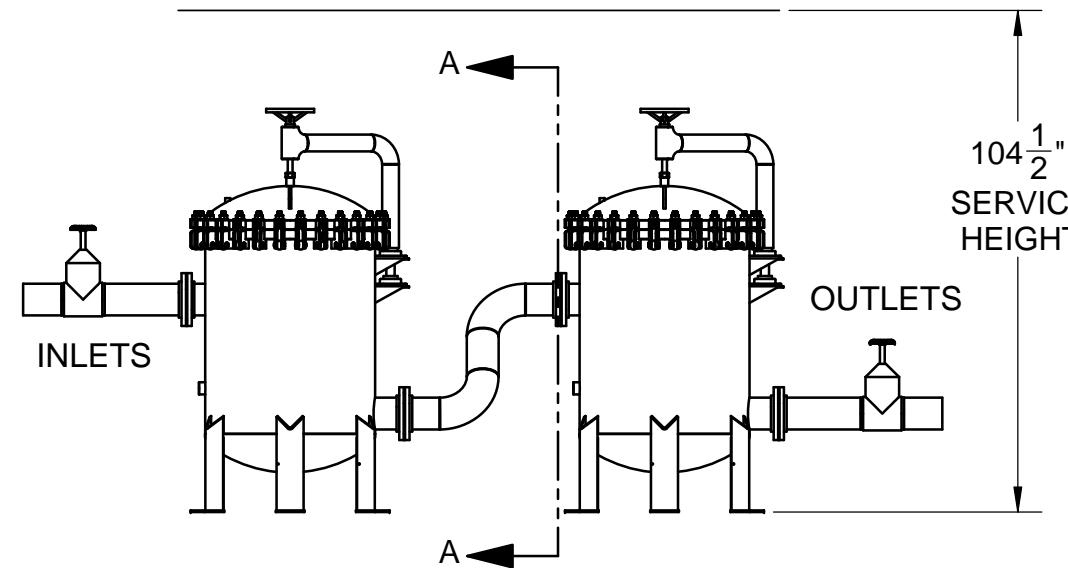
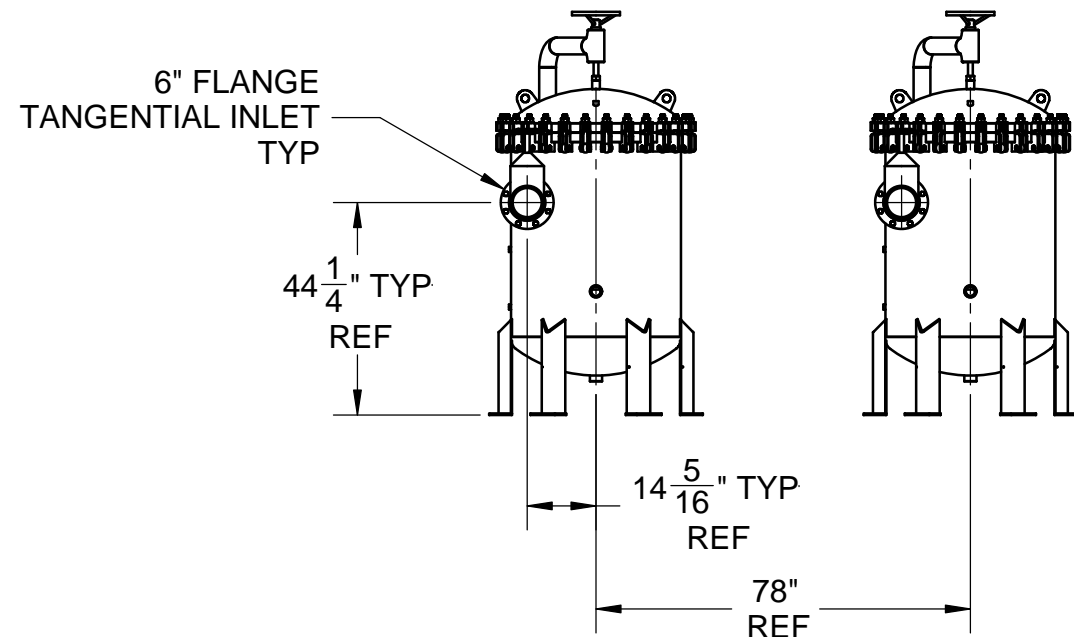
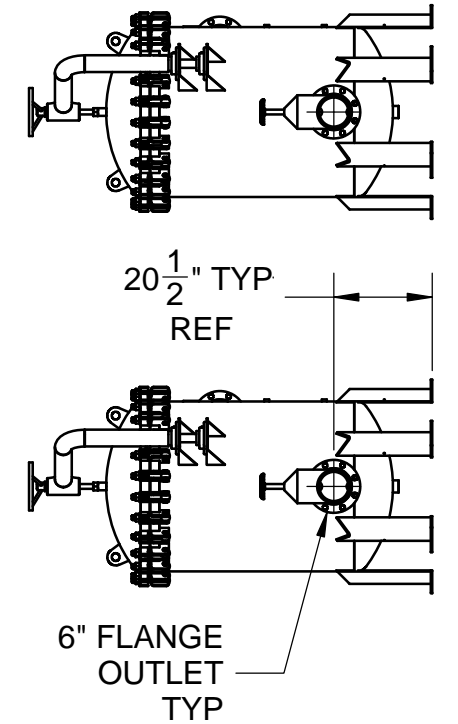
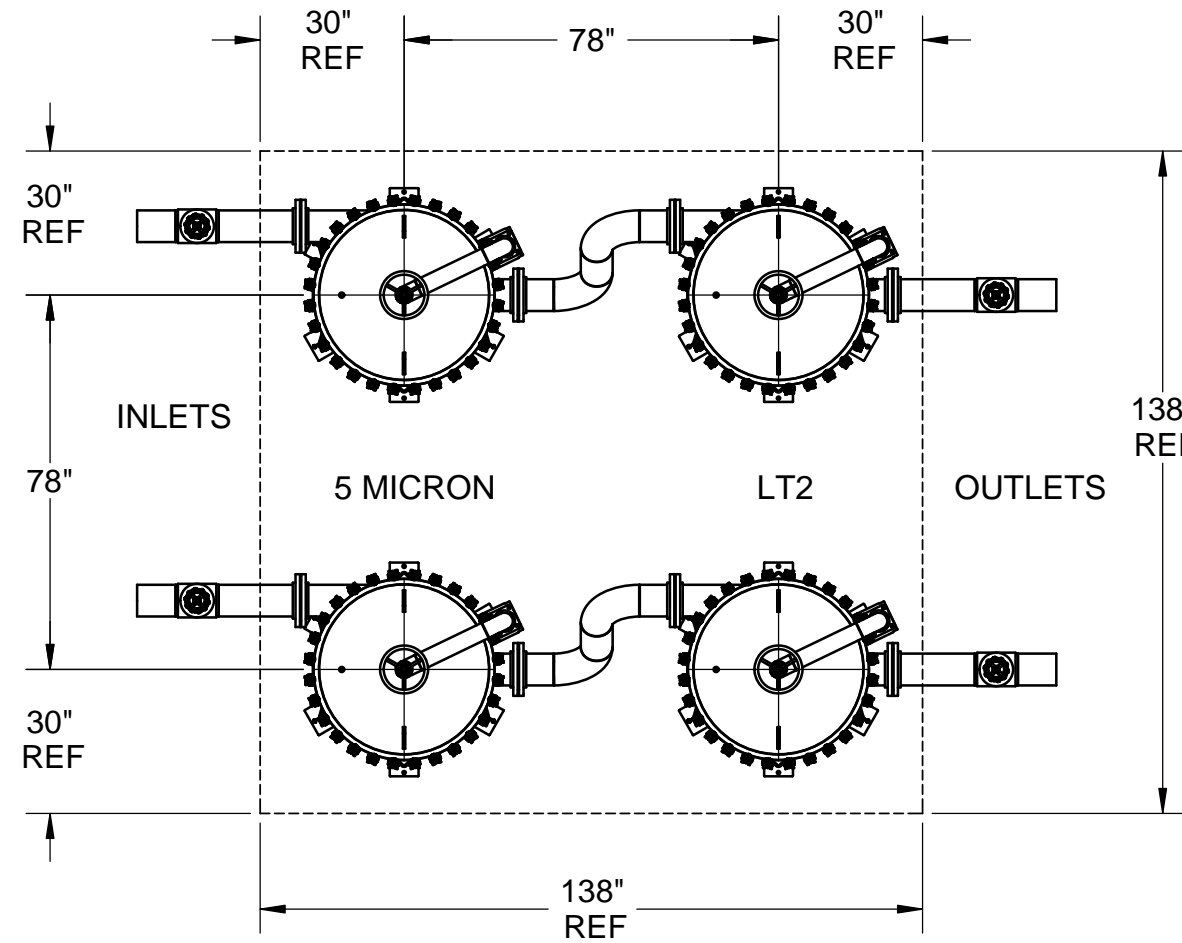


REVISIONS			
REV.	DESCRIPTION	DATE	APPROVED



ISOMETRIC VIEW



SECTION A-A

APPROVALS	DATE
DRAWN RS	11-4-14
APPROVED	
UNLESS OTHERWISE SPECIFIED DIMENSIONS ARE IN INCHES TOLERANCES ARE:	
FRACTIONS +/- 1/32	DECIMALS +/- .010
ANGLES +/- 30'	
DRAWN ON CAD DO NOT SCALE	

HARMSCO INC.		
P.O. BOX 14066 N. PALM BEACH, FL		
SCALE "1:48"	2 STAGE DUAL PATH SYSTEM MUNI-8-6FL, QTY 4	PART NO. N/A