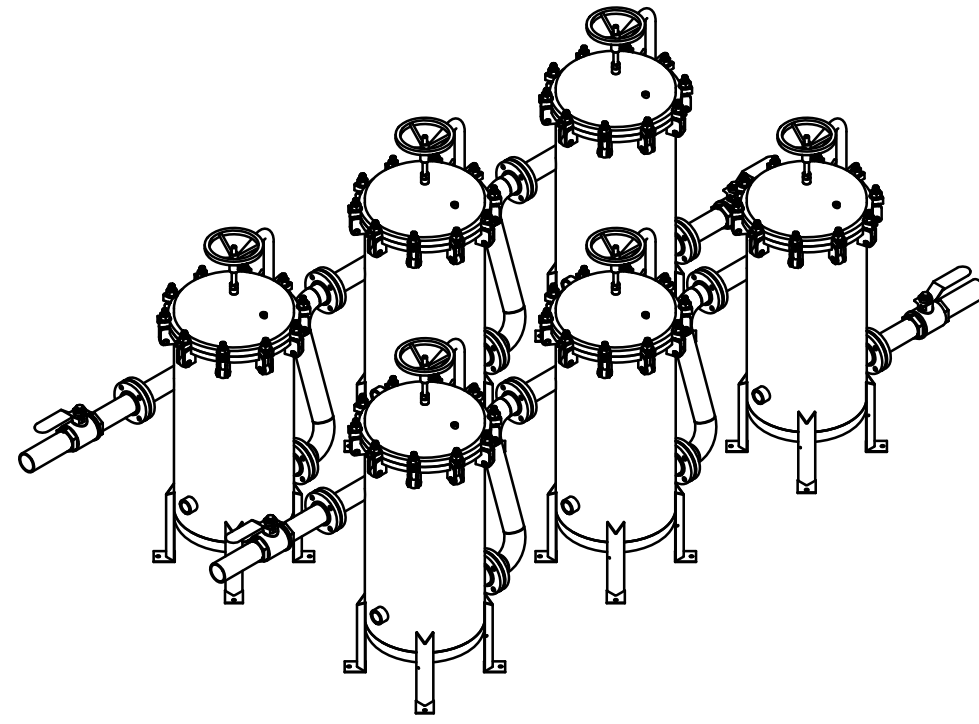
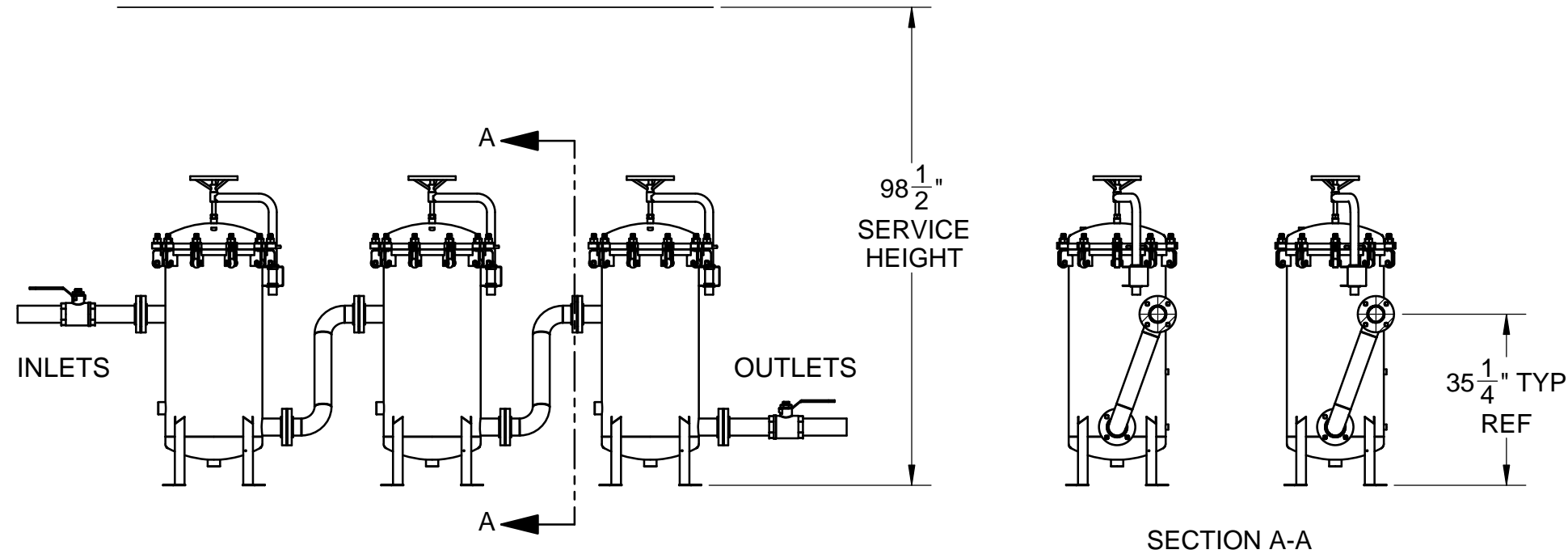
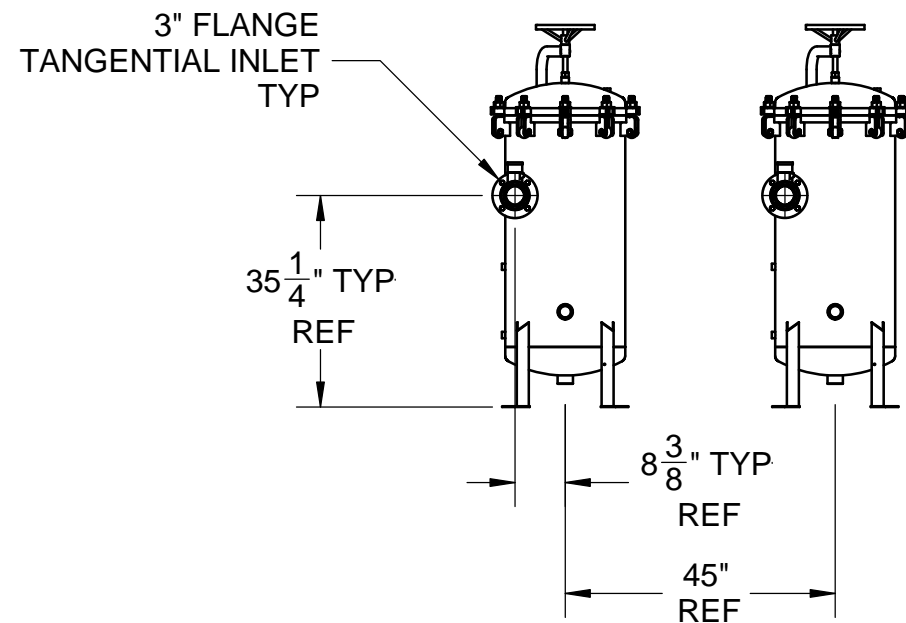
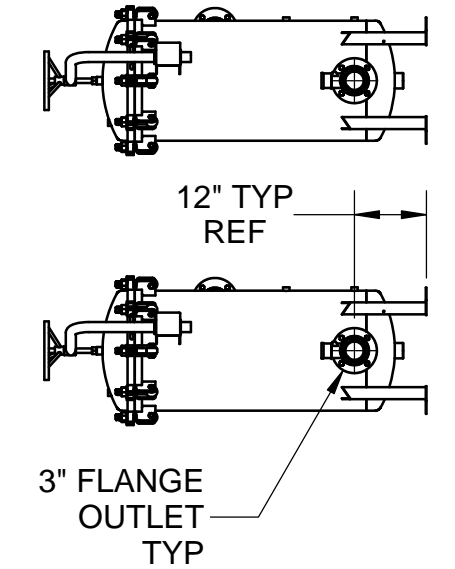
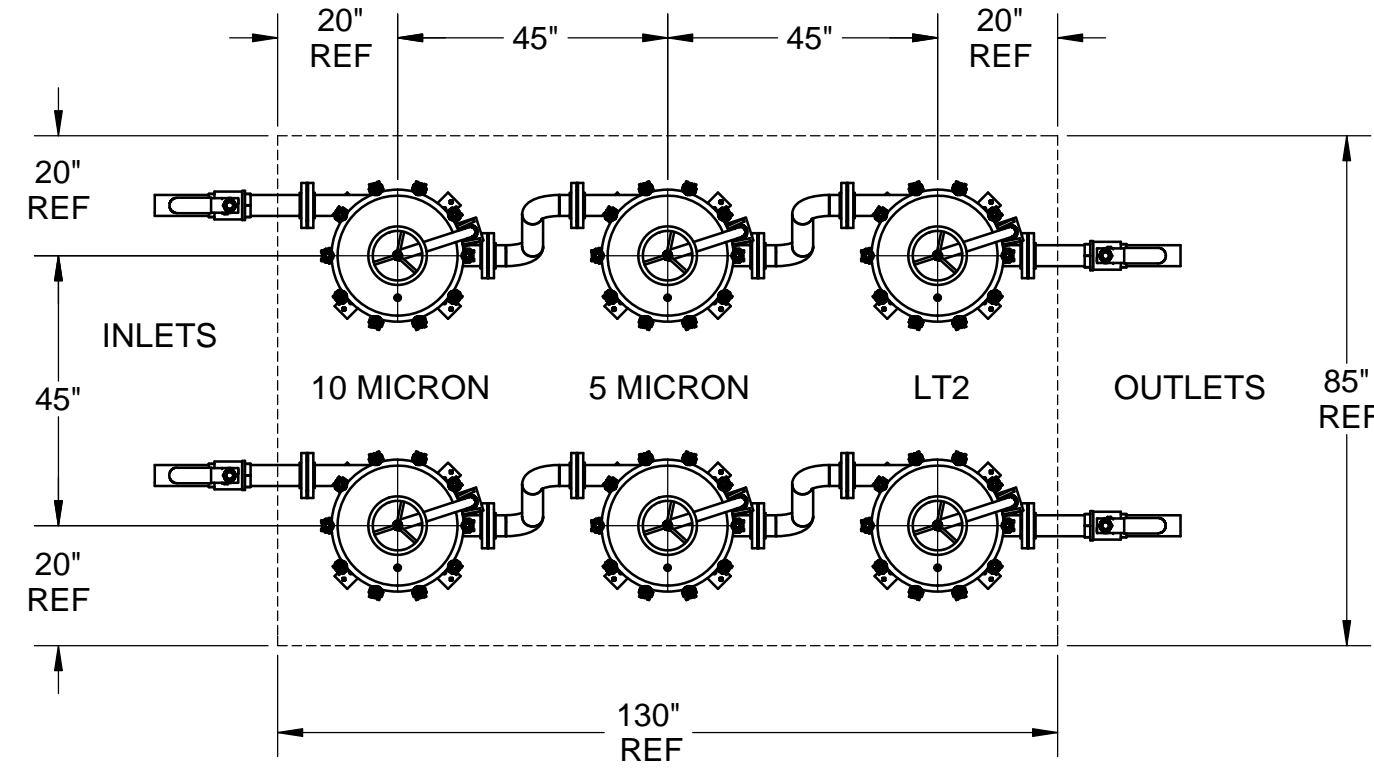


REVISIONS			
REV.	DESCRIPTION	DATE	APPROVED



ISOMETRIC VIEW



APPROVALS	DATE
DRAWN RS	11-4-14
APPROVED	
UNLESS OTHERWISE SPECIFIED DIMENSIONS ARE IN INCHES TOLERANCES ARE:	
FRACTIONS +/- 1/32	DECIMALS +/- .010
ANGLES +/- 30'	
DRAWN ON CAD DO NOT SCALE	

HARMSCO INC.		P.O. BOX 14066 N. PALM BEACH, FL	SCALE "1:32"	PART NO. N/A
3 STAGE DUAL PATH SYSTEM				
MUNI-3-3FL, QTY 6				