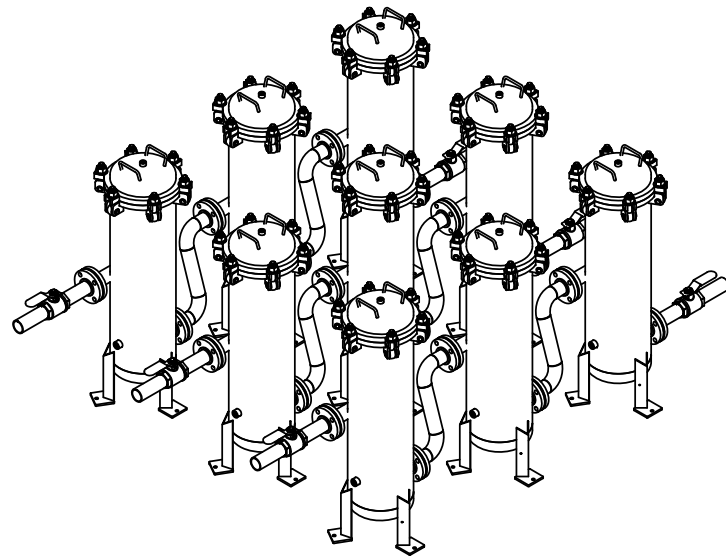
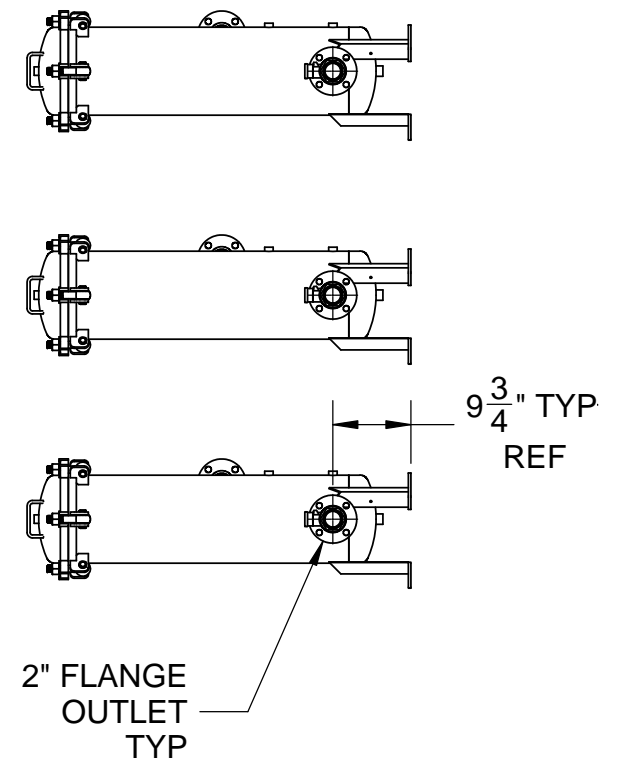
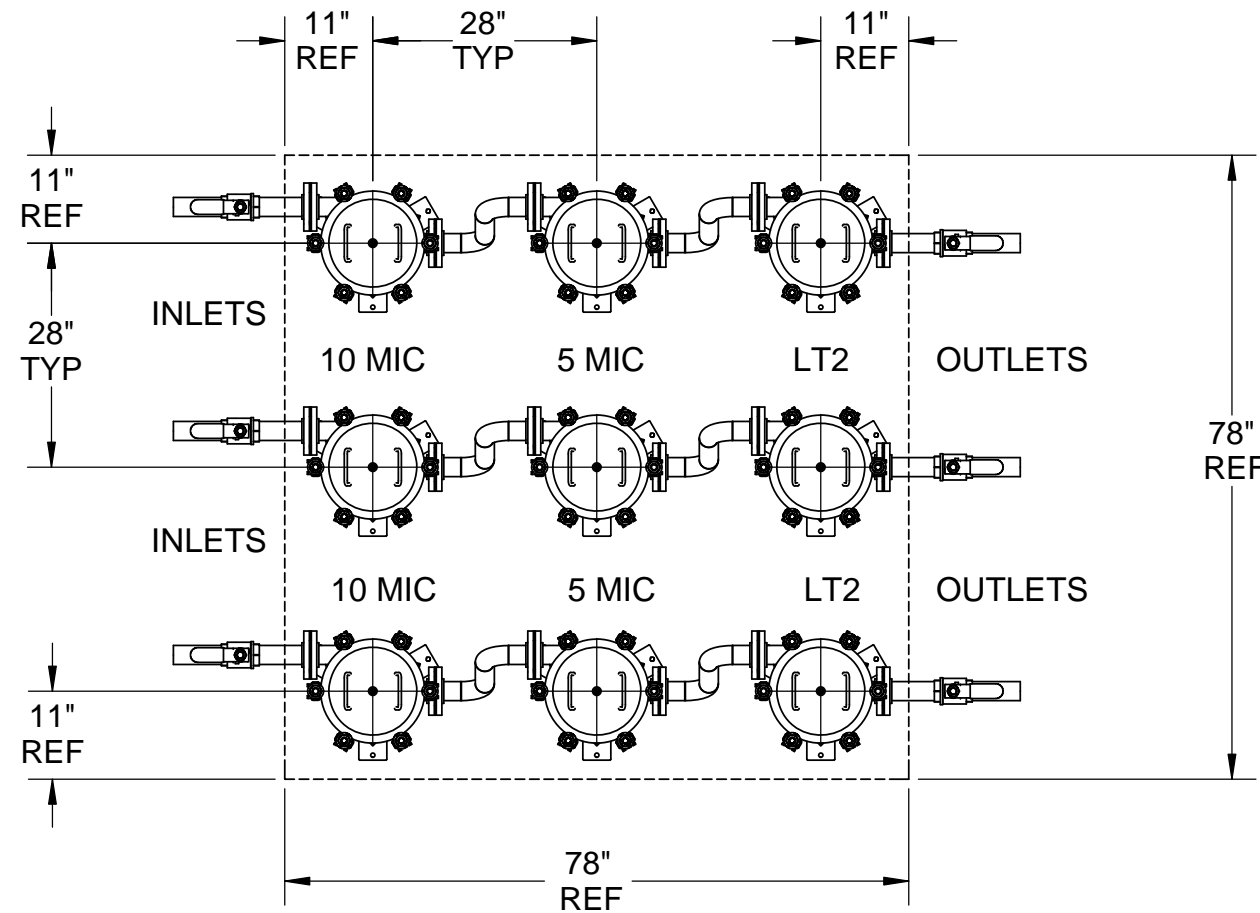


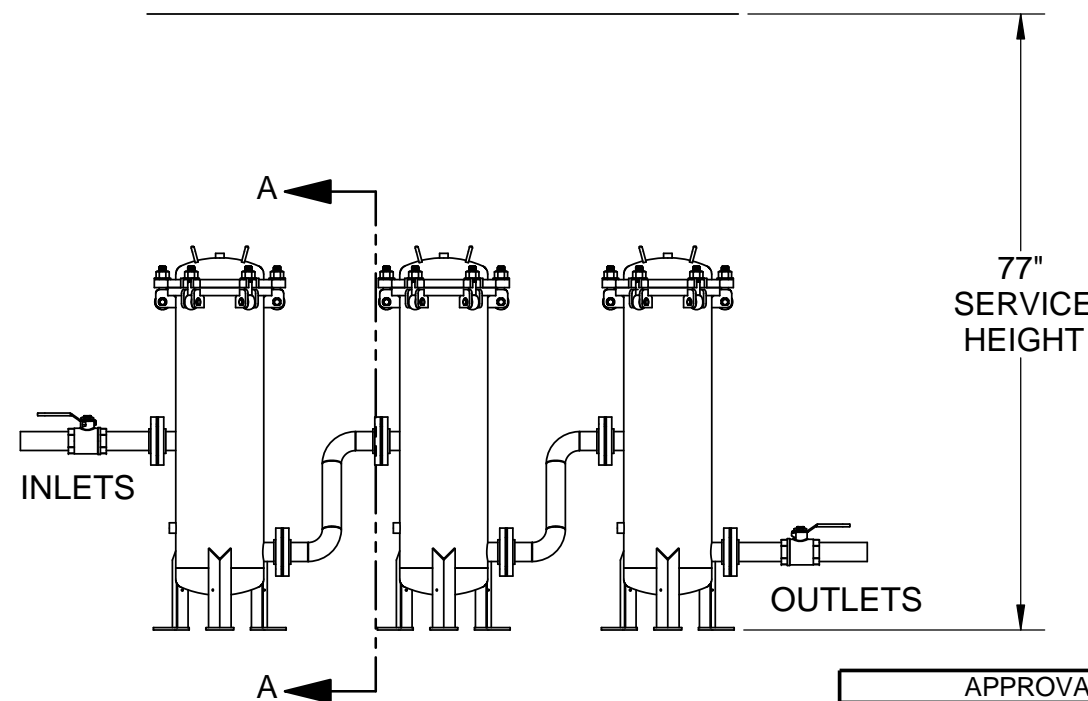
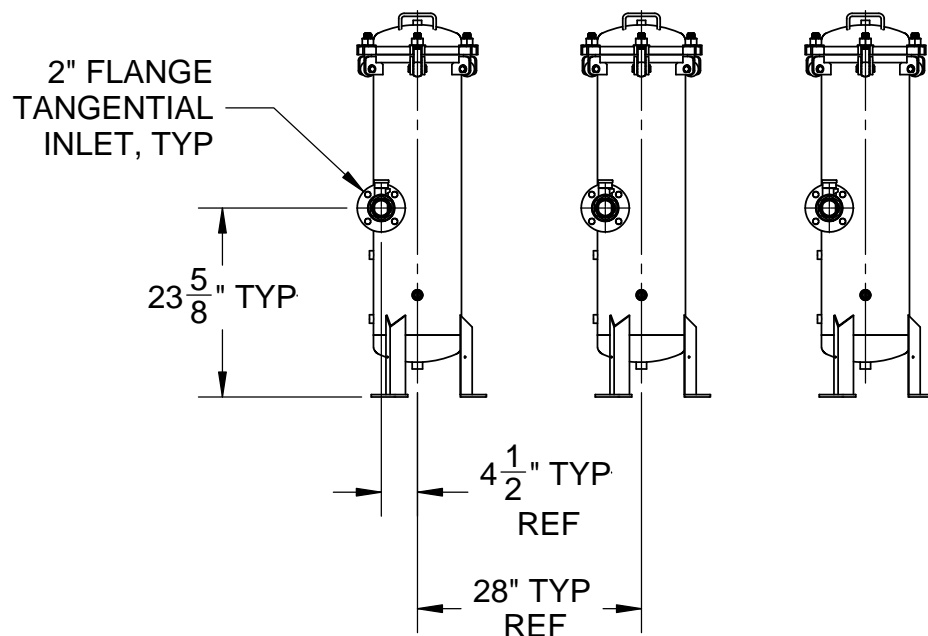
REVISIONS			
REV.	DESCRIPTION	DATE	APPROVED



ISOMETRIC VIEW

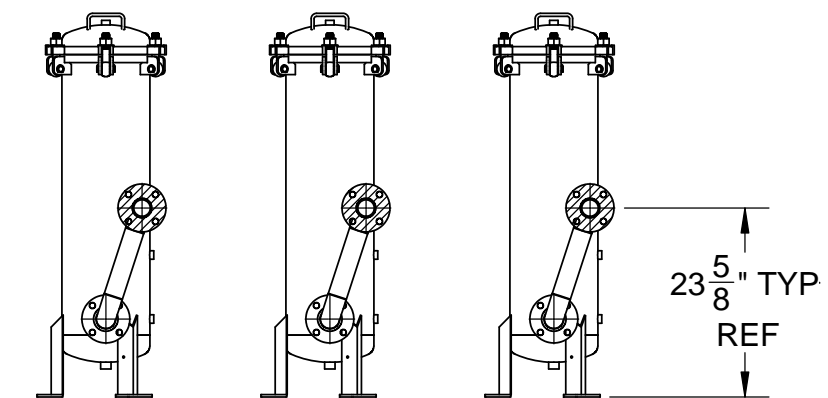


- NOTES:
1. PLUMBING COMPONENTS ARE OF STD 2" SS SCH 40 PIPE.
  2. ELBOWS ARE STD 2" BUTT-WELD LONG RADIUS SCH 40.
  3. COMMON HEADER WITH VALVES CAN BE USED BETWEEN STAGES.
  4. OTHER SYSTEM CONFIGURATIONS ARE POSSIBLE. SERVICEABILITY IS TO BE CONSIDERED.



APPROVALS	DATE
DRAWN RS	11-4-14
APPROVED	
UNLESS OTHERWISE SPECIFIED DIMENSIONS ARE IN INCHES TOLERANCES ARE:	
FRACTIONS	DECIMALS
+/- 1/32	+/- .010
ANGLES	+/- 30'
DRAWN ON CAD DO NOT SCALE	

SECTION A-A



**HARMSCO INC.**

P.O. BOX 14066 N. PALM BEACH, FL

SCALE  
"1:24"

3 STAGE - 3 PATH SYSTEM  
MUNI-1-2FL, QTY 9

PART NO.  
N/A