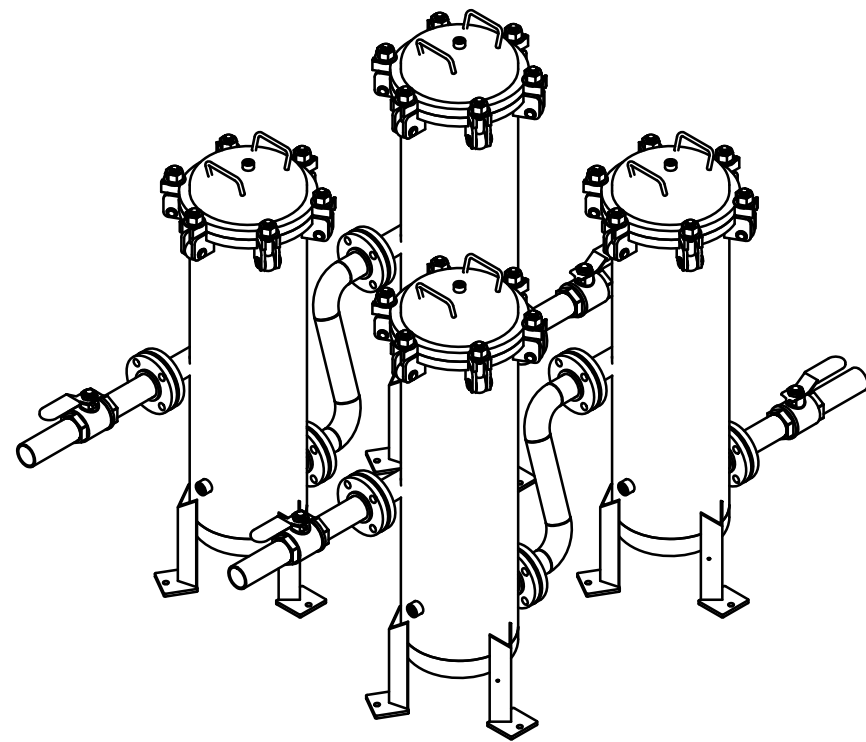
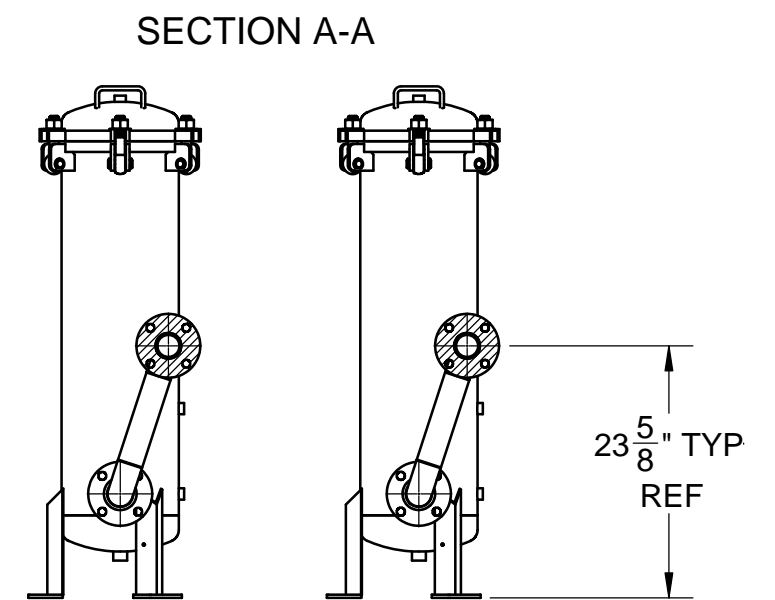
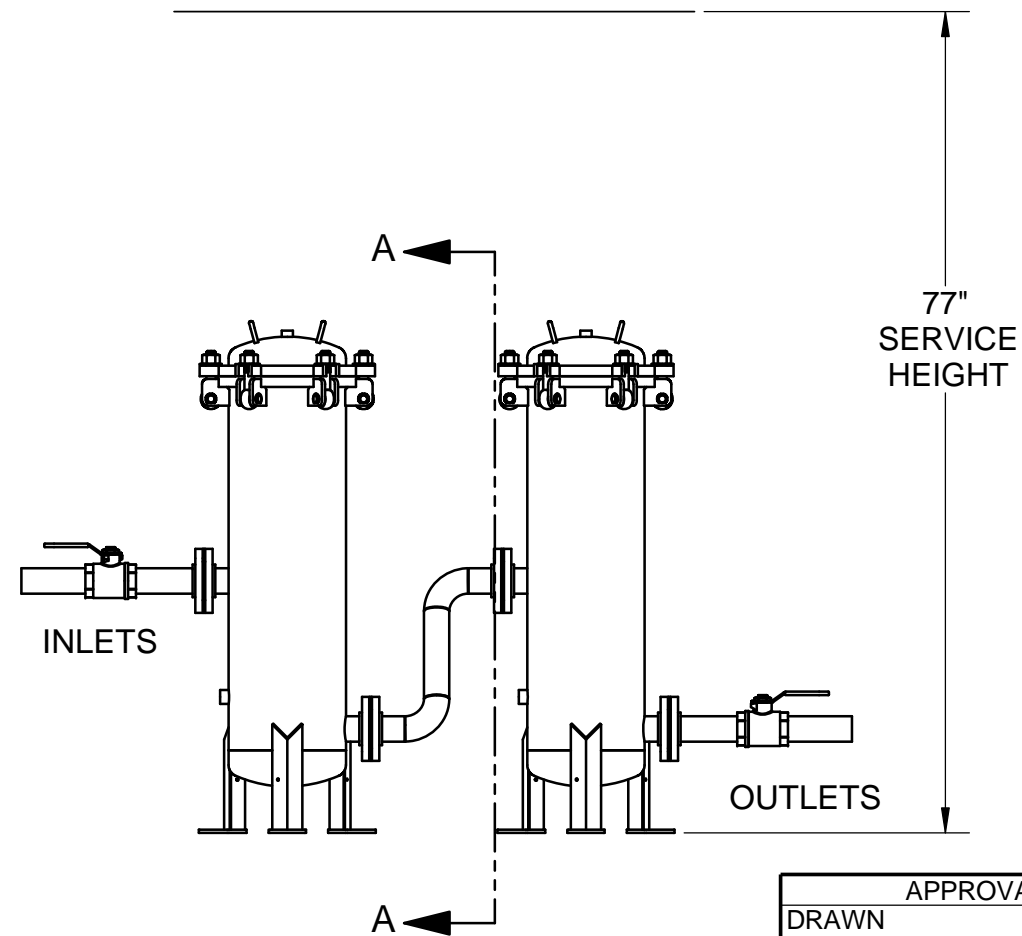
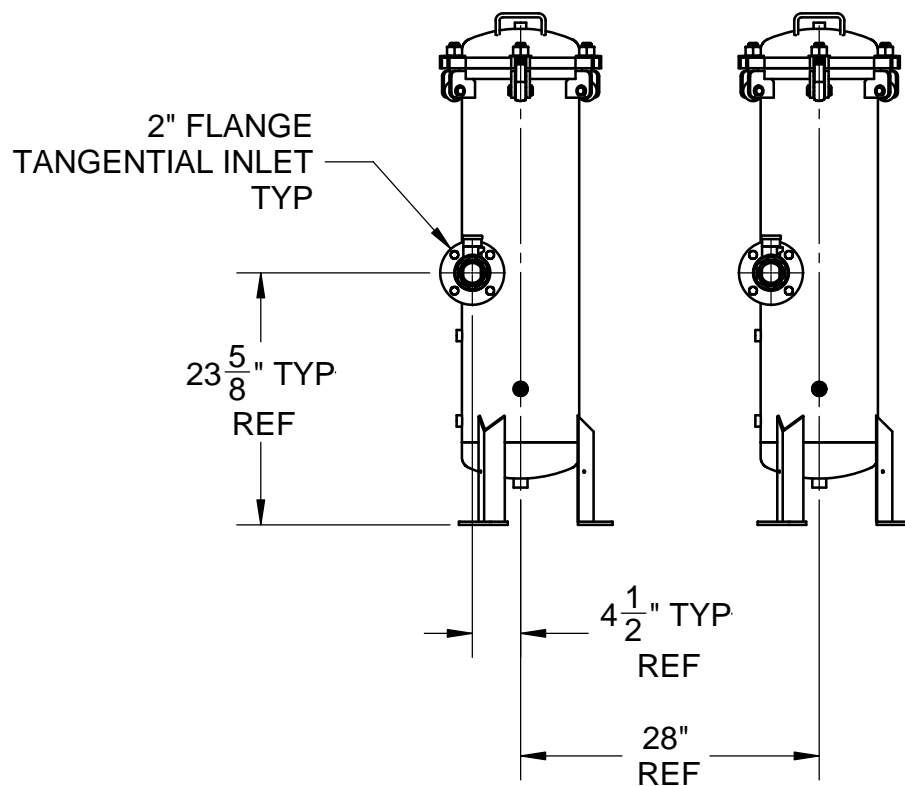
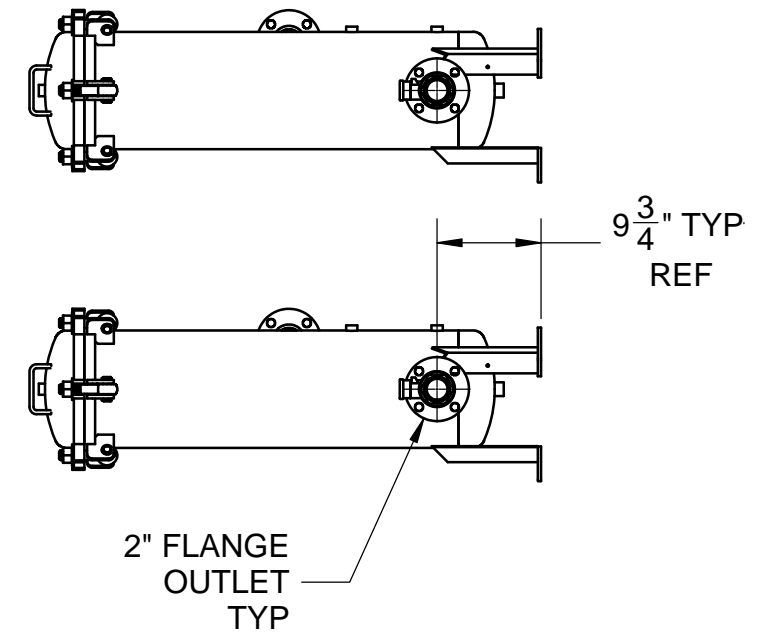
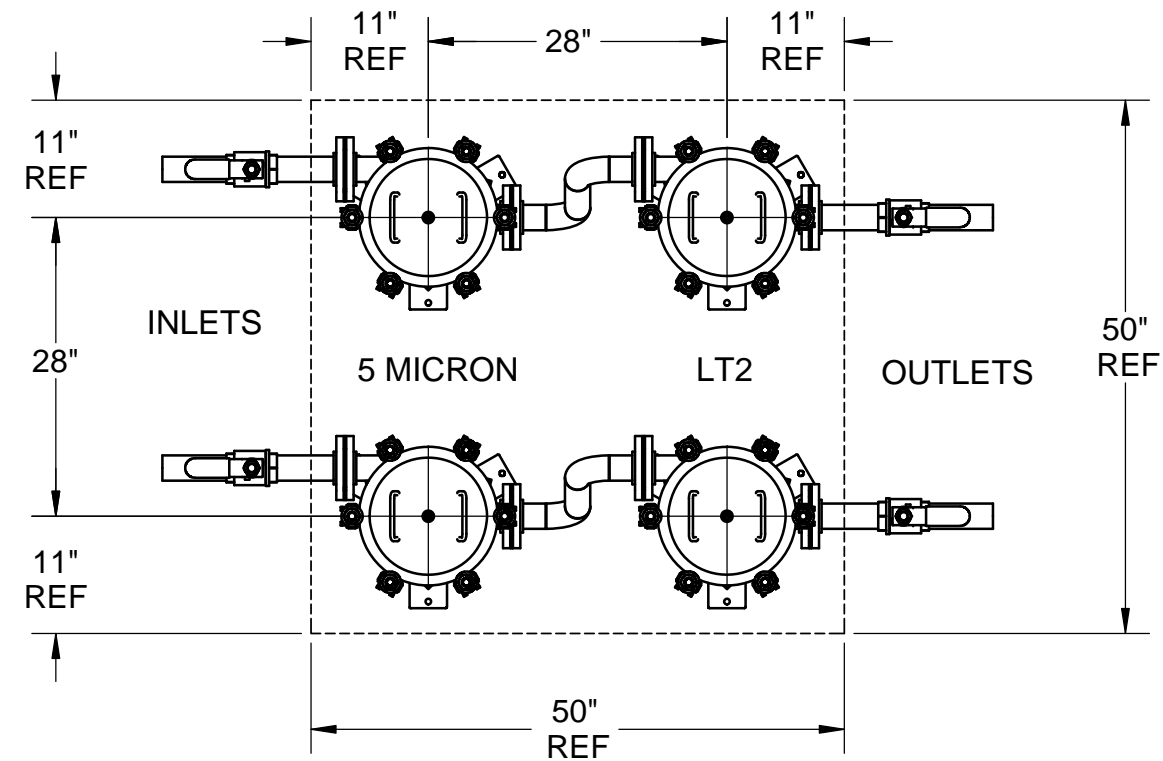


REVISIONS			
REV.	DESCRIPTION	DATE	APPROVED



ISOMETRIC VIEW



APPROVALS	DATE
DRAWN RS	11-3-14
APPROVED	
UNLESS OTHERWISE SPECIFIED DIMENSIONS ARE IN INCHES TOLERANCES ARE:	
FRACTIONS	DECIMALS      ANGLES
+/- 1/32	+/- .010      +/- 30'
DRAWN ON CAD DO NOT SCALE	

<p><b>HARMSCO INC.</b> P.O. BOX 14066    N. PALM BEACH, FL</p>		SCALE	PART NO.
		"1:18"	
2 STAGE DUAL PATH SYSTEM MUNI-1-2FL, QTY 4			