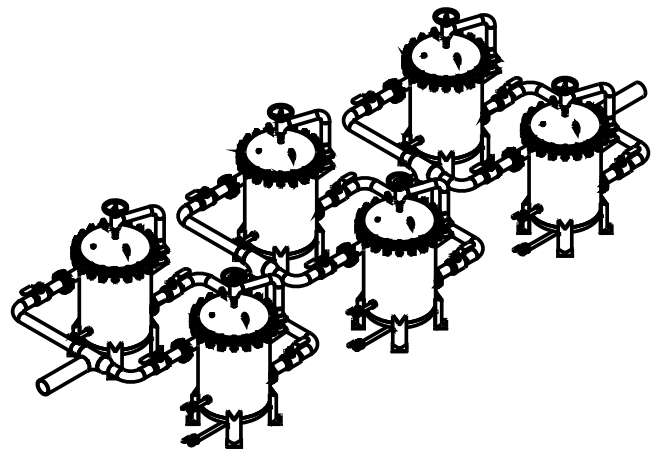
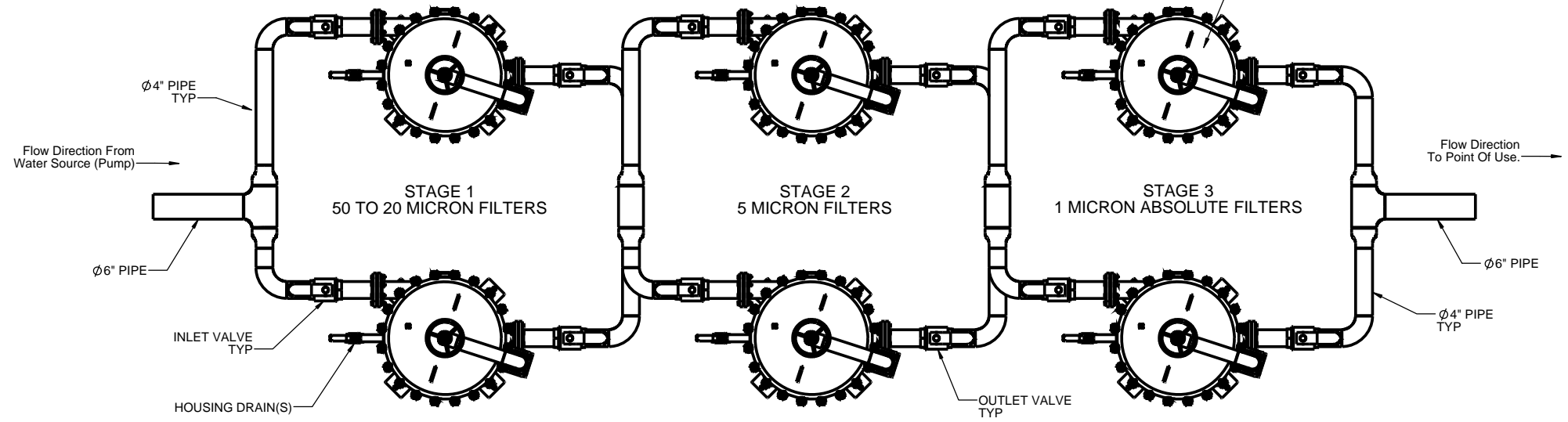


REVISIONS			
REV.	DESCRIPTION	DATE	APPROVED

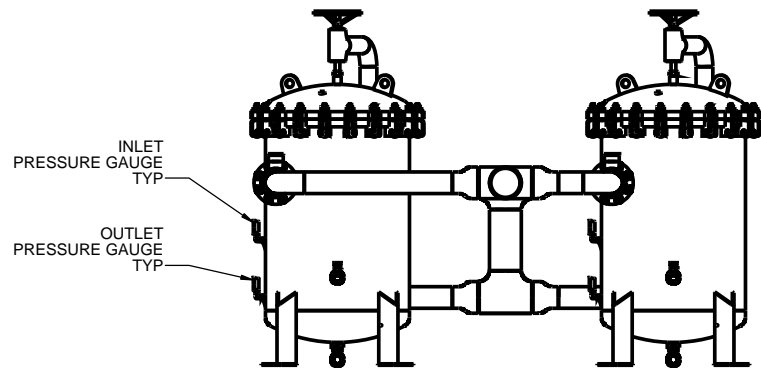


ISOMETRIC VIEW
SCALE: 1:40

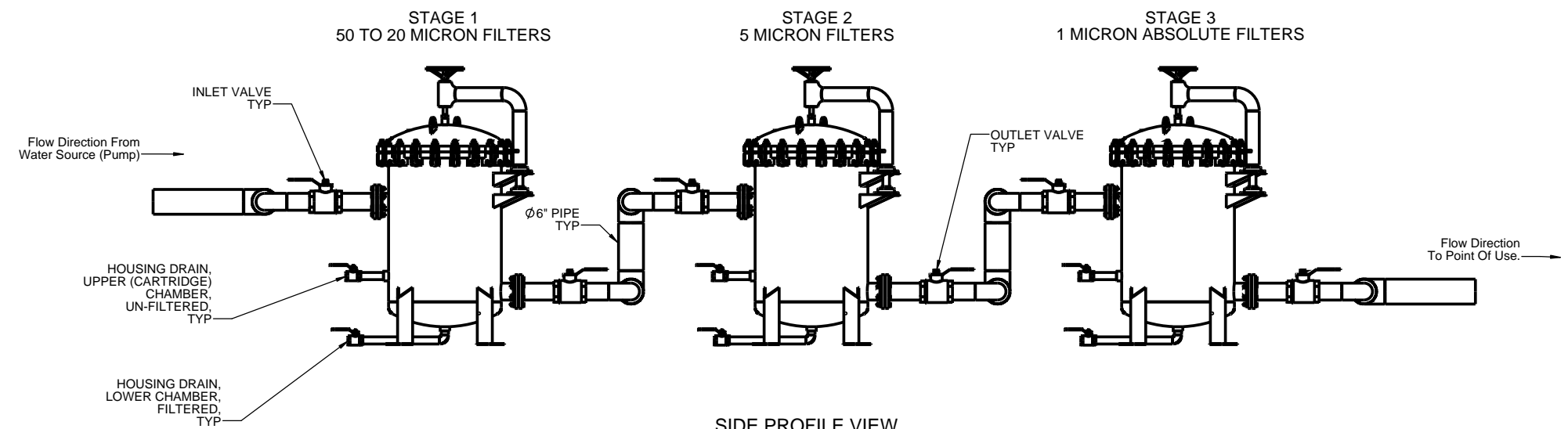


TOP PLAN VIEW
SCALE: 1:20

NOTE:
THE SYSTEMS INITIAL OVER-ALL PRESSURE DROP IS ESTIMATED TO BE 30 PSI. AT MAX. RATED FLOW OF 750 GPM.



END PROFILE VIEW
SCALE: 1:20



SIDE PROFILE VIEW
SCALE: 1:20

SYSTEM DESCRIPTION:

THIS 3 STAGE WATER FILTER SYSTEM IS RATED AT A MAXIMUM 750 GALLONS PER MINUTE AND IS INTENDED TO BE A SOLUTION FOR SMALL COMMUNITIES AND/OR TOWNSHIPS. IT IS RECOMMENDED TO USE A NORMAL OPERATING FLOW RATE OF 600 GPM TO MAXIMIZE FILTER EFFICIENCY AND PROLONG FILTER LIFE. IF HIGHER FLOW RATES ARE CONTINUOUSLY DESIRED, CONSIDERATION SHOULD BE GIVEN TO USE A LARGER FILTER.

THE SYSTEM CONSISTS OF THREE LEVELS OF FILTRATION STAGES, MARKED STAGE 1, 2 & 3, AND CLASSIFIED BY THEIR FILTER'S MICRON RATING.

- STAGE 1 - 20 TO 50 MICRON, SEDIMENT REMOVAL, COARSE FILTRATION
- STAGE 2 - 5 MICRON, SMALL PARTICULATE REMOVAL, MEDIUM FILTRATION
- STAGE 3 - 1 MICRON ABSOLUTE, CYSTS AND GIARDIA REMOVAL, FINE FILTRATION

EACH FILTRATION STAGE CONSISTS OF TWO HARMSCO'S MODEL HUR 5X170FL-XP HOUSINGS THAT ARE PLUMBED IN PARALLEL. ONE HOUSING IS INTENDED TO BE RUNNING, WHILE THE OTHER HOUSING IS IN STAND-BY MODE, AND CAN BE MAINTAINED (OR SERVICED) WITHOUT INTERRUPTING FLOW. THE STAGES ARE CONNECTED IN SERIES WITH AN OVER-ALL SYSTEM PRESSURE DROP ESTIMATED TO BE 30 PSI. AT THE MAX. FLOW RATE OF 750 GPM. THE HARMSCO MODEL HUR 5X170FL-XP HOUSING CONTAINS QUANTITY 5 CARTRIDGE FILTER ELEMENTS (HC/170-) AVAILABLE IN SEVERAL MICRON RATINGS. THE FIVE CARTRIDGES WITHIN EACH HOUSING SHOULD BE OF THE SAME RATING AND MAINTAINED SIMULTANEOUSLY.

PLUMBING LAY-OUT IS DRAWN FOR PRESENTATION, AND MAYBE ALTERED TO SUITE EACH APPLICATION. CONSIDERATION TO HOUSING'S FUNCTIONABILITY, MAINTENANCE, ERGONOMICS, FLOW RATE, AND SPACE REQUIREMENTS IS RECOMMENDED WHEN ACTUAL PLUMBING LAY-OUT IS PERFORMED. EACH HOUSING IS TO BE PLUMBED WITH INDIVIDUAL VALVES AND PRESSURE GAUGES.

THIS DRAWING HAS BEEN PREPARED BY HARMSCO FILTRATION PRODUCTS FOR REPRESENTATION OF A TYPICAL DESIGN FOR SMALL COMMUNITIES WATER SOLUTIONS.

APPROVALS		DATE	HARMSCO INC.	
DRAWN	RS	11-5-14	P.O. BOX 14066 N. PALM BEACH, FL	
APPROVED				
UNLESS OTHERWISE SPECIFIED DIMENSIONS ARE IN INCHES				
TOLERANCES ARE:		SCALE	PART NO.	
FRACTIONS	DECIMALS	ANGLES	3 STAGE SYSTEM	N/A
+/- 1/32	+/- .010	+/- 30'	DUAL PATH OPTIONAL,	
DRAWN ON CAD DO NOT SCALE			HUR 5X170FL-XP	